

# House Beautiful

MAY 2008

## EASY LIVING, easy decorating



**DREAM  
KITCHENS**  
WHAT'S NEW  
WHAT'S NEXT  
IDEAS! IDEAS! IDEAS!

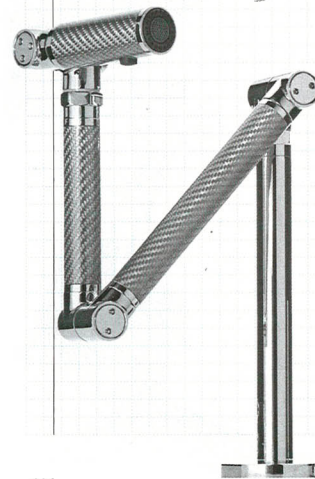
**01 Indoor Herb Garden**  
Be a high-tech locavore. Grow your herbs, vegetables, and fruits on a kitchen windowsill with no soil. Power Plant feeds everything automatically. \$40; prepara.com.



**02 Faster Cooking**  
A 60-minute gourmet could do it in 4 with TurboChef's Speedcook oven, just out in single size. Heated air blasts through to roast, bake, even dehydrate. \$5,995; theovenreinvented.com.

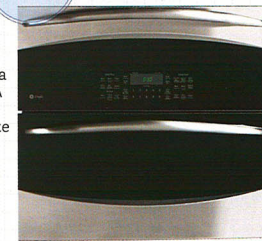


**03 Flexible Faucet** Water flows in any direction with the Karbon articulating spigot; aim the spray head and let it go. About \$1,000; kohler.com.



**04 Compact Ovens**  
Two GE Profile ovens in one single-wide slot: a tight 30 inches. A 22-pound turkey has room to baste in the bottom, with convection capability. \$2,449-\$2,799; geappliances.com. (Available Fall 2008.)

WHAT'S NEXT

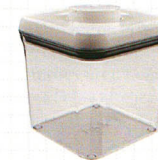


**07 Tougher Wood Floors**  
Hardwood floors sans the headaches—Premier Performance, infused with acrylic, boasts the lustrous beauty of hardwood without the nicks and scratches. \$8-\$11 per square foot; armstrong.com.

WHAT'S NEW WHAT'S NEXT  
**KITCHEN TRENDS**

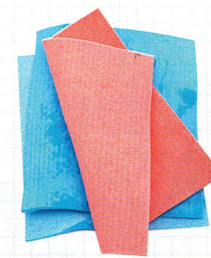
Written by  
REGINA SCHRAMBLING  
Produced by  
SAMANTHA EMMERLING

**05 Easy-Open Canisters**  
No need to wrestle the lids off storage containers from OXO Good Grips. They pop off with the push of a button. Eleven sizes, \$7 to \$17; oxo.com.



**06 Really Stainless Steel**  
Leave no fingerprints: The first touch-proof stainless-steel appliances are here, dishwashers from Asko. It's the beginning of the end of stainless remorse—all the style without the endless upkeep. \$950-\$1,800; askousa.com.

**08 Sponge Cloth**  
Seventeen rolls of paper towels equal one of these cloths. This eco-friendly hybrid, made from sustainable pine, is both absorbent and reusable. Bonus point: biodegradable. \$4 for three; twistclean.com.



**09 The New Color**  
The original slow cooker now comes in a nouveau hue—Dijon—but retains the low-tech, artisanal qualities that make it an indispensable classic. Enameled cast iron ensures even cooking. \$175-\$260; lecreuset.com.



**10 Gallery Lighting**  
Miele's Independence Series refrigerator has ClearView, halogen and spot lighting illuminating the deepest corners—dramatically. \$5,995; miele.com.



**11 Lower Energy Bills**  
No more mixing and matching to get the most energy-efficient appliances. Bosch sells everything from refrigerators to dishwashers, all with Energy Star certification (where applicable). boschappliances.com.

**12 Quieter Dishwashers**  
All quiet on the clean-up front—Electrolux has seriously muffled the sound of dishwashing, even with nine cycles on tap. \$999-\$1,299; electrolux.com.

